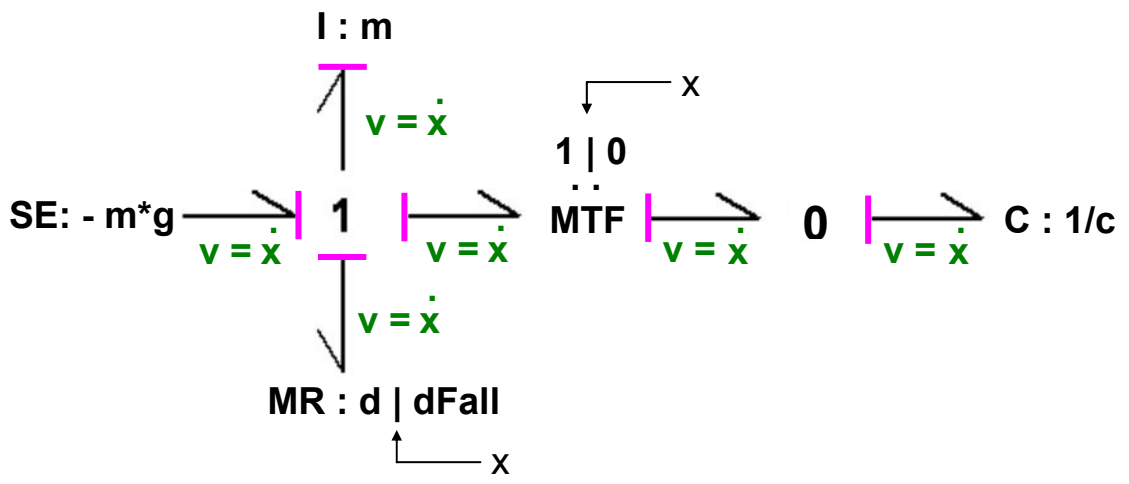
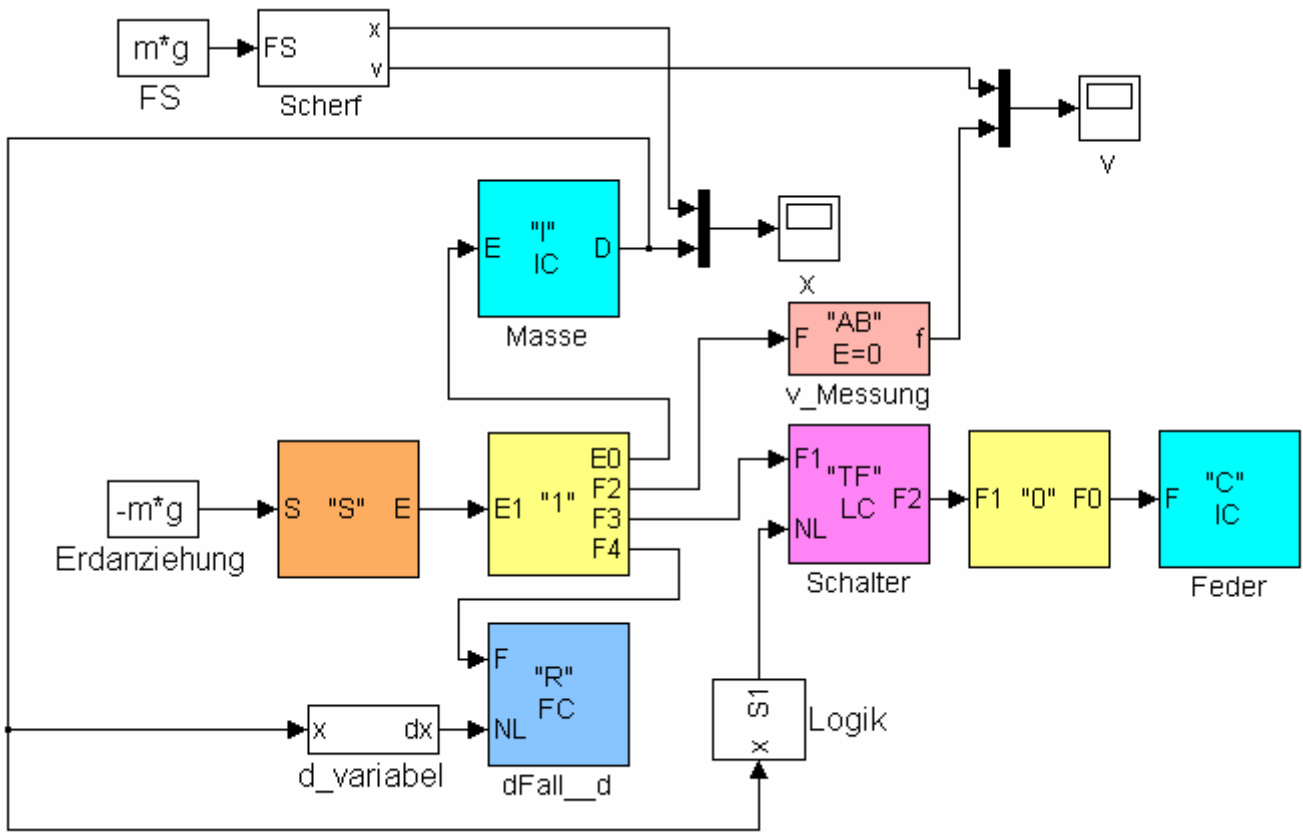
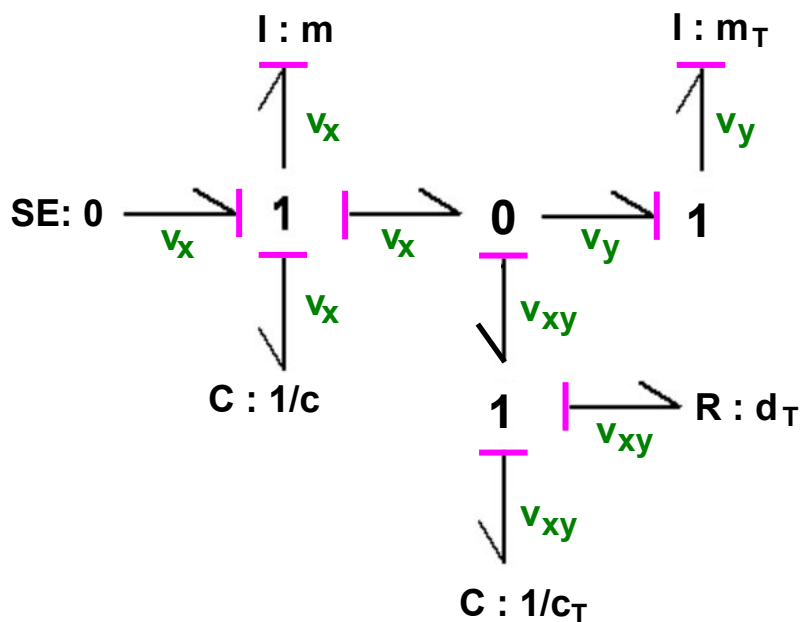
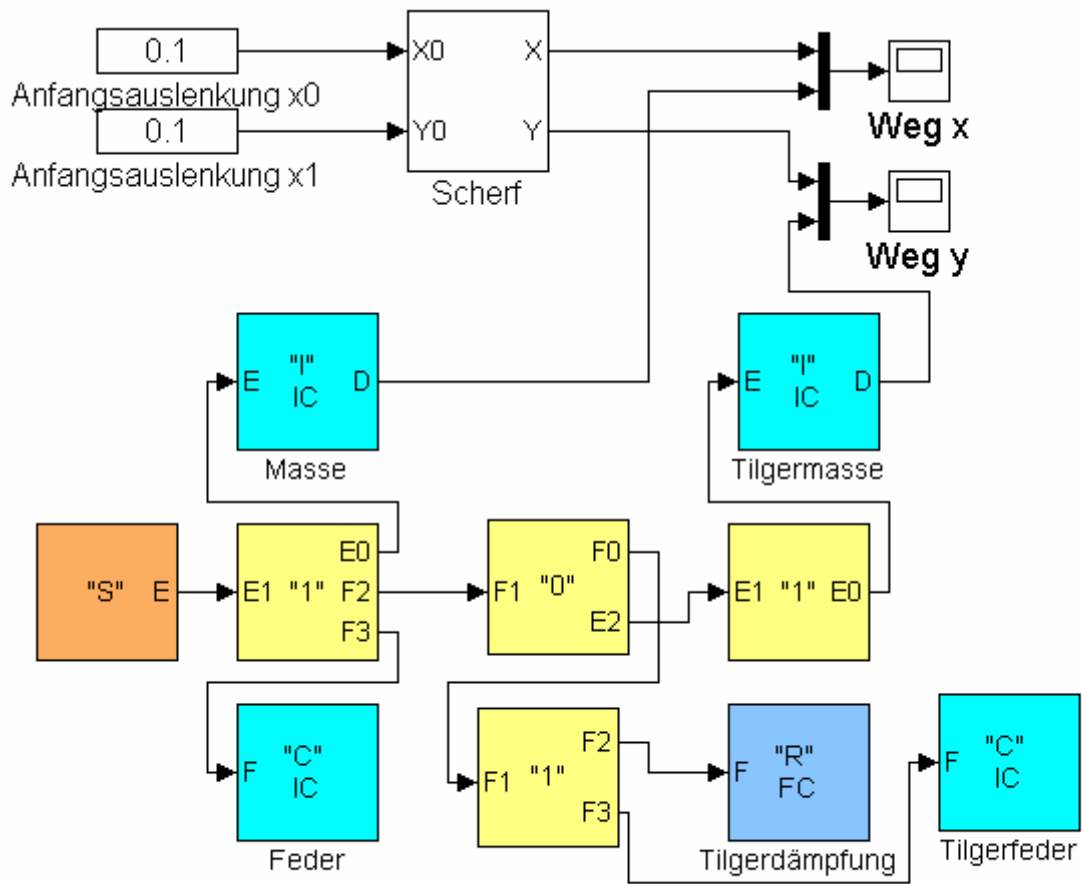


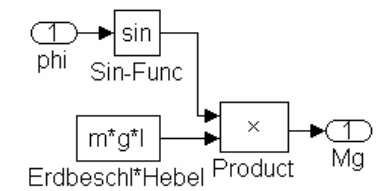
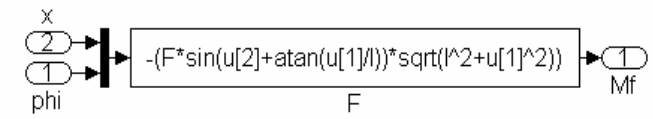
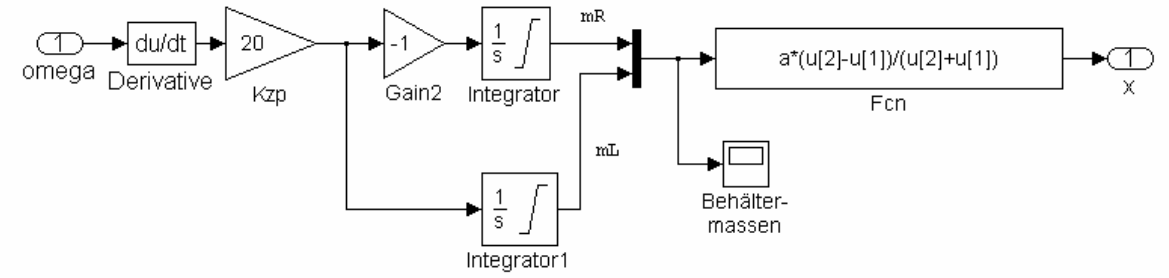
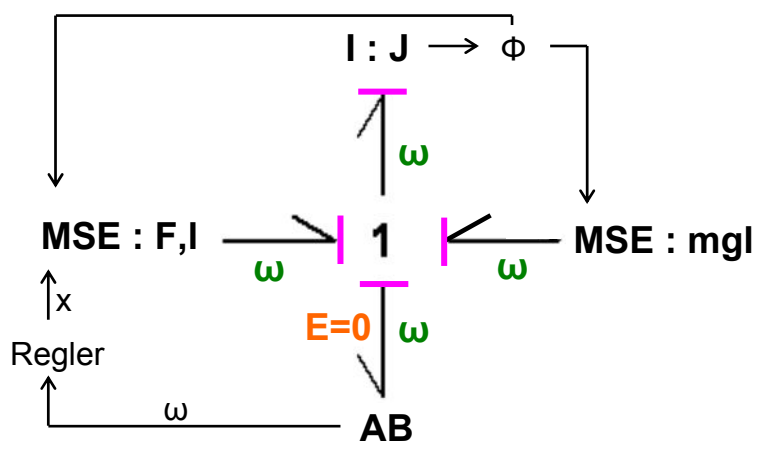
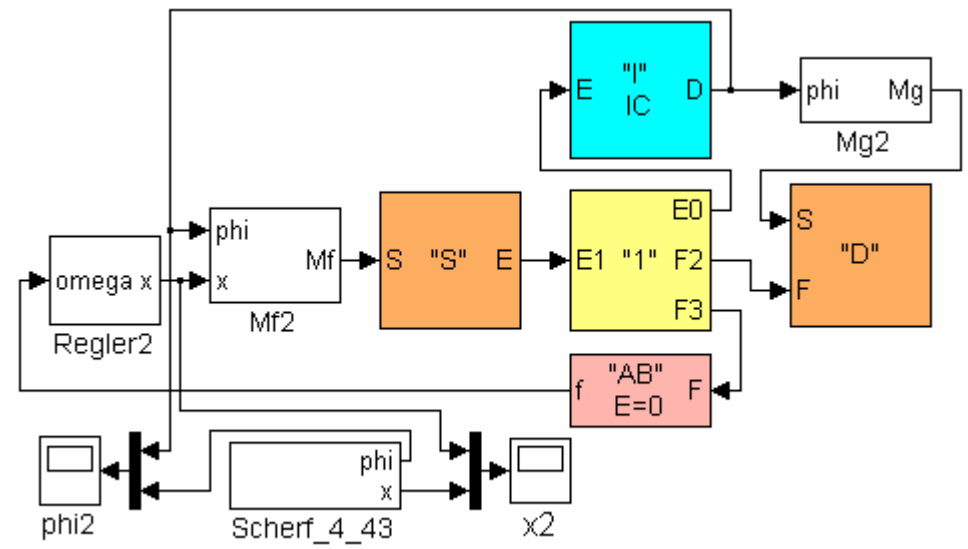
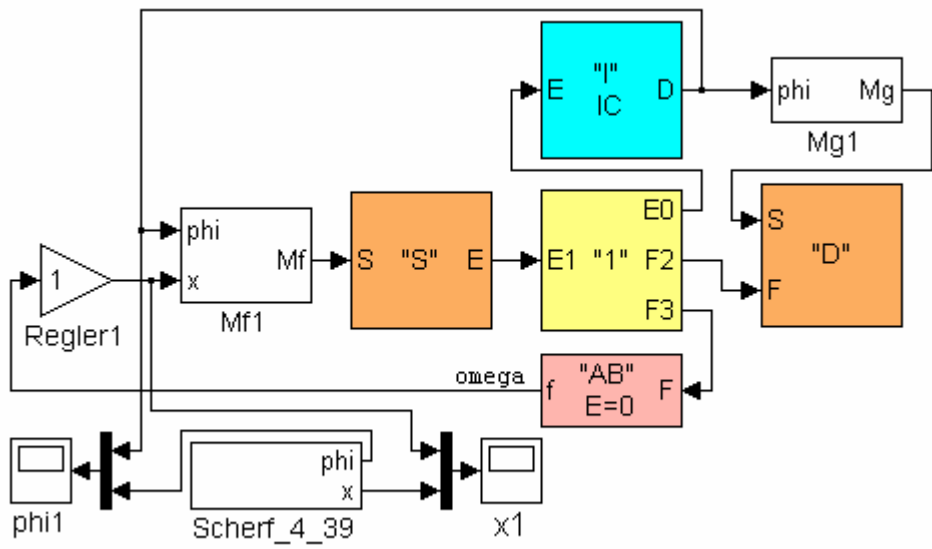
3.2 Stick slip effect (pp. 16/20)



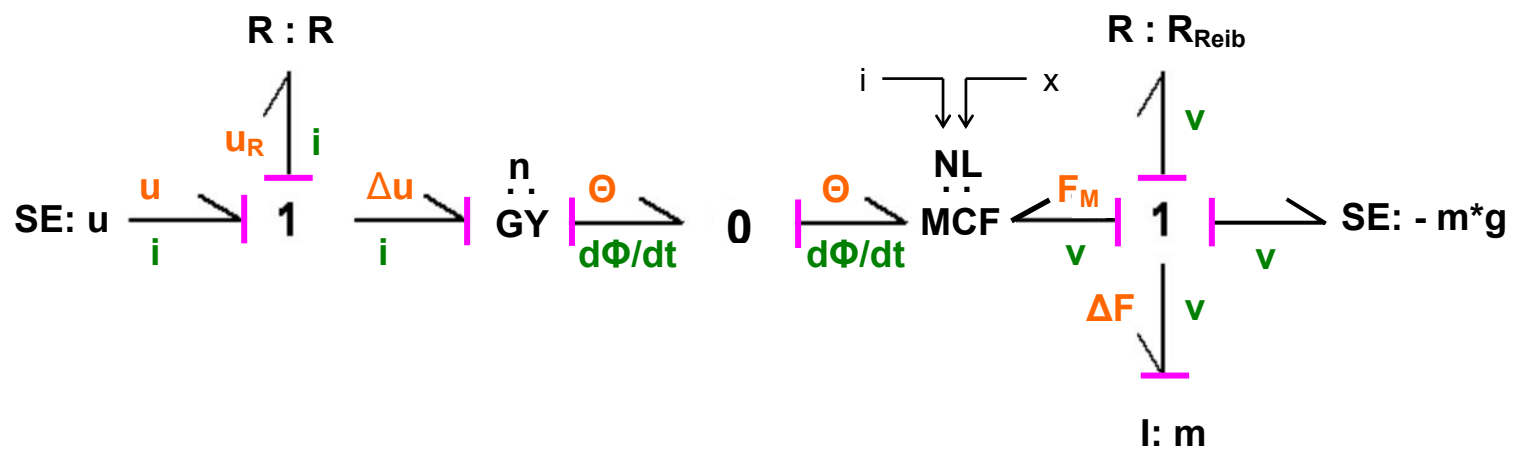
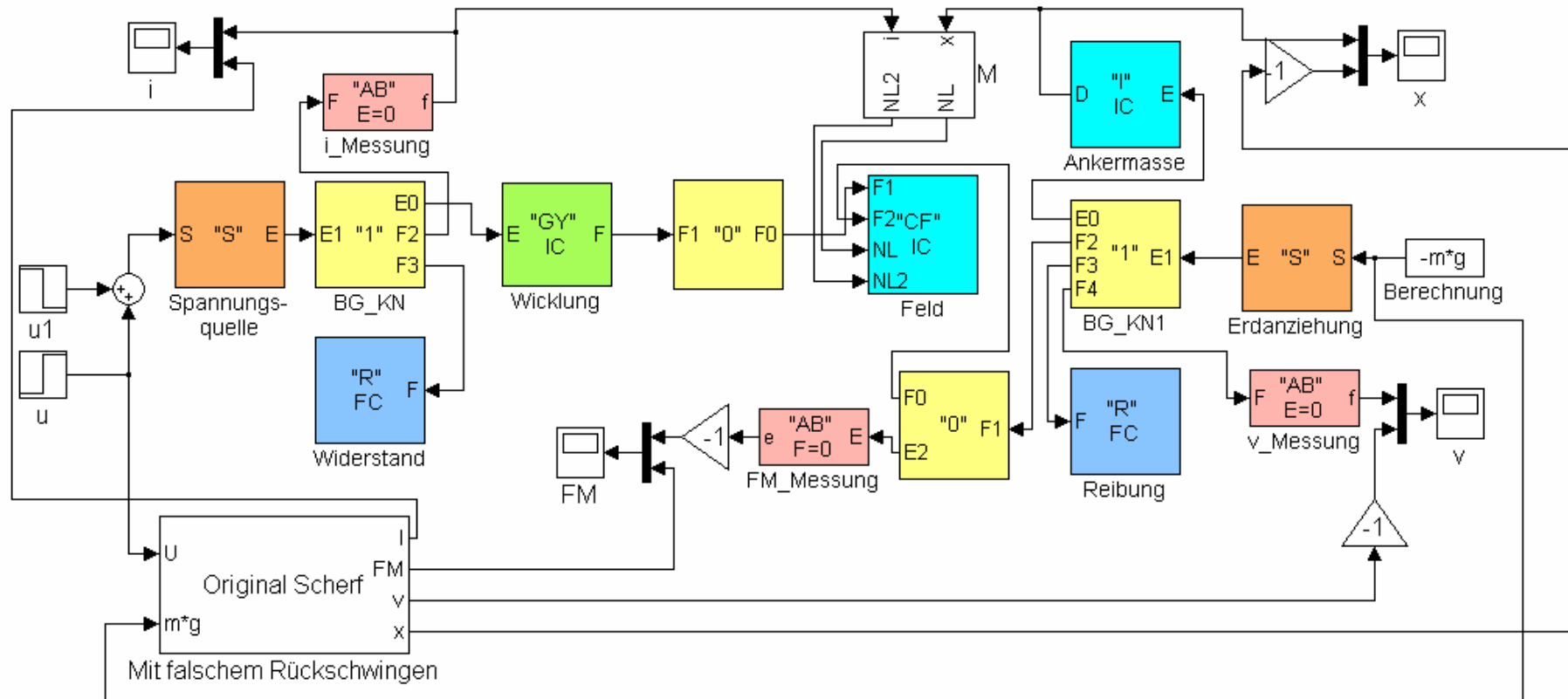
3.6 Fall experiment (pp. 42/46)



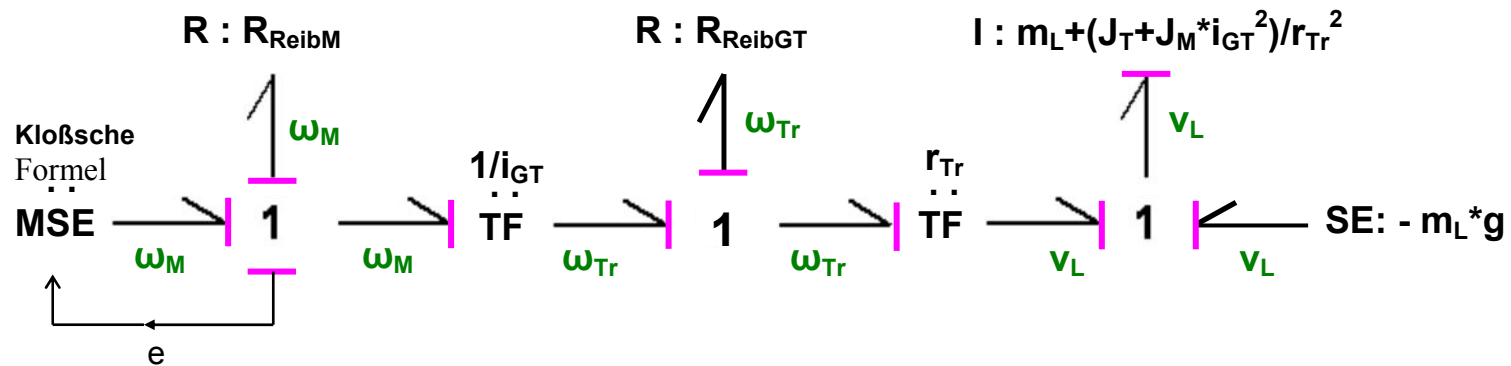
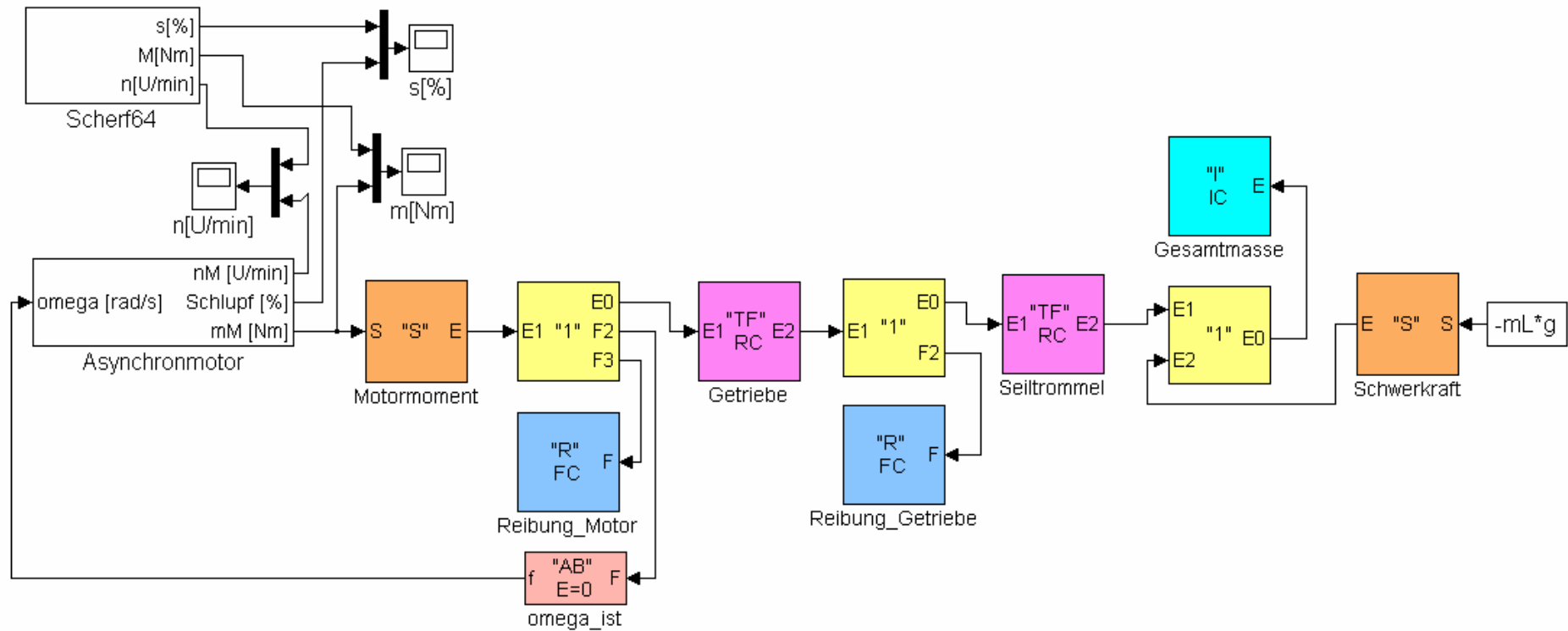
3.7 Dynamic vibration absorber (pp. 46/51)



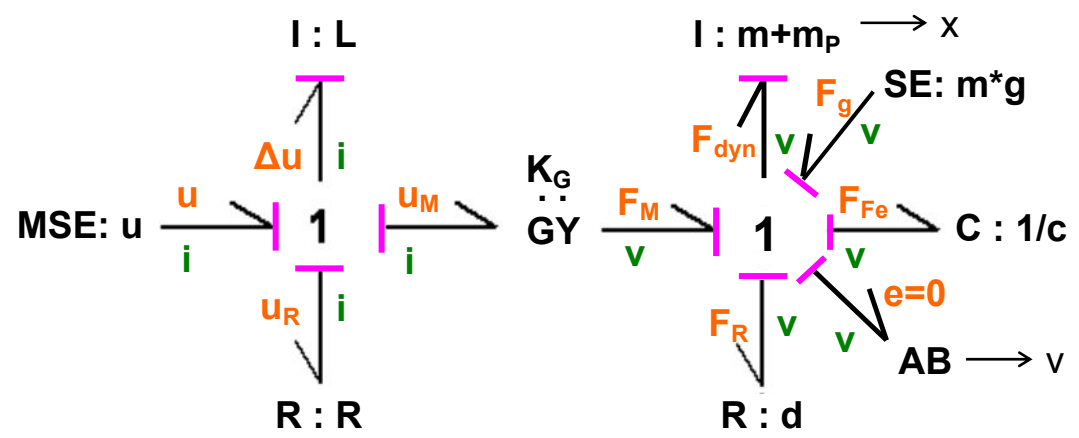
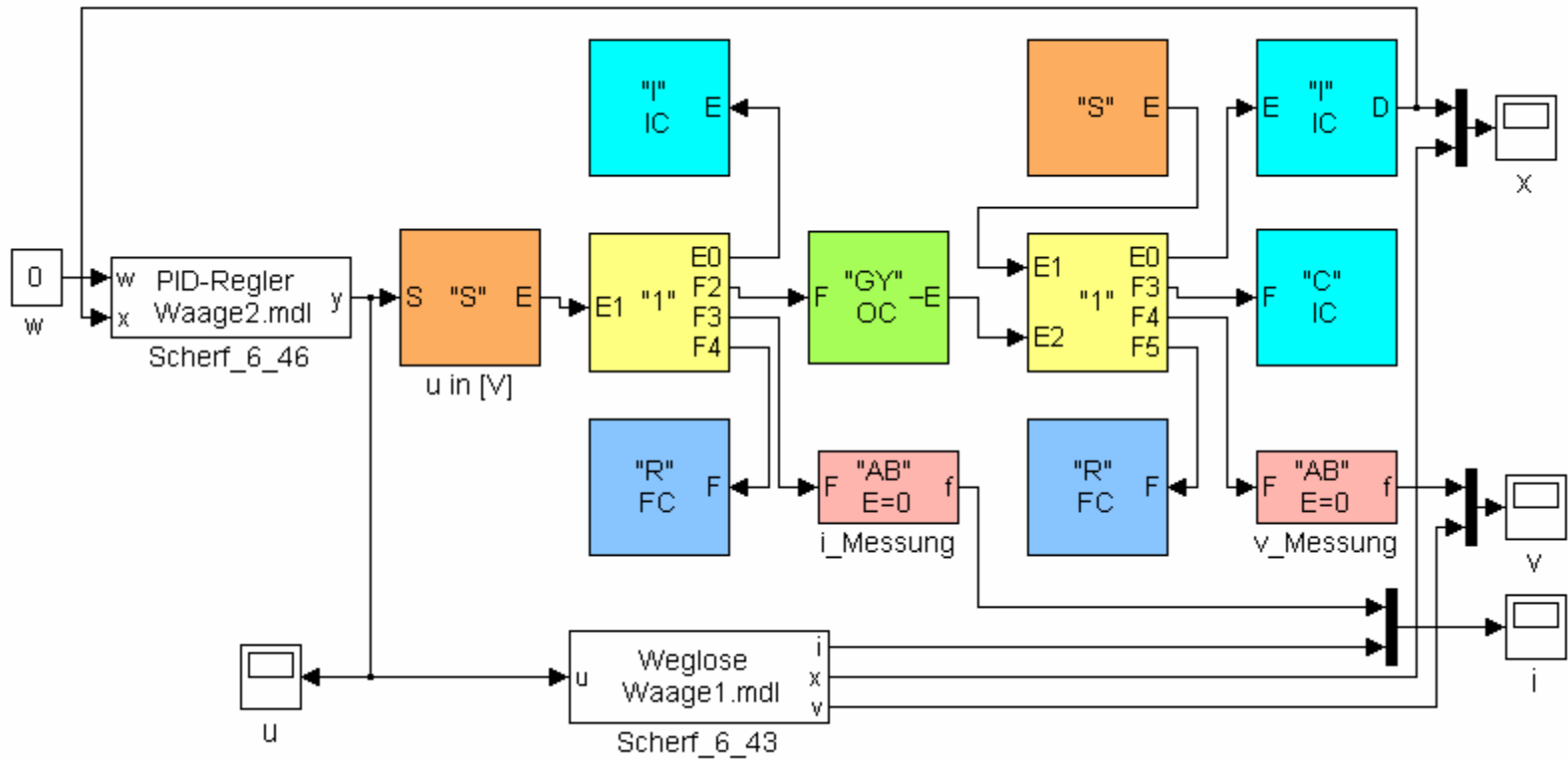
4.4 Dynamic rolling absorber (pp. 88/96)



6.3 Lift magnet (pp. 154/162)



6.4 Lift a load (pp. 162/167)



6.5 Scales without steady deviation (pp. 167-177)