
SpartanMC

***Simple Universal Asynchronous
Receiver Transmitter (UART
Light)***

Table of Contents

1. Framing	1
2. Module parameters	2
3. Interrupts	2
4. Peripheral Registers	3
4.1. UART Register Description	3
4.2. UART_STATUS Register	3
4.3. UART_FIFO_READ Register	4
4.4. UART_FIFO_WRITE Register	4
4.5. UART C-Header for Register Description	5

List of Figures

1 UART Light block diagram	1
2 UART Light frame	1

List of Tables

2 UART module parameters	2
2 UART registers	3
2 UART status register layout	3
2 UART status register layout	4
2 UART status register layout	4

Simple Universal Asynchronous Receiver Transmitter (UART Light)

The UART Light is a SpartanMC peripheral device for serial communication with external systems. Compared to the standard UART the UART Light uses a lightweight interface which enables a smaller resource footprint. To provide the minimum interface the peripheral is primarily configured via pre synthesis parameters.

The UART Light bitstream is fixed to 8 databits per frame, the datarate and FIFO buffer depth is configurable via module parameter. The signals Rx and Tx are used as connection to the external system environment. The incoming and outgoing data is written to FIFO memory modules which are connected to the input and output shift registers of the UART.

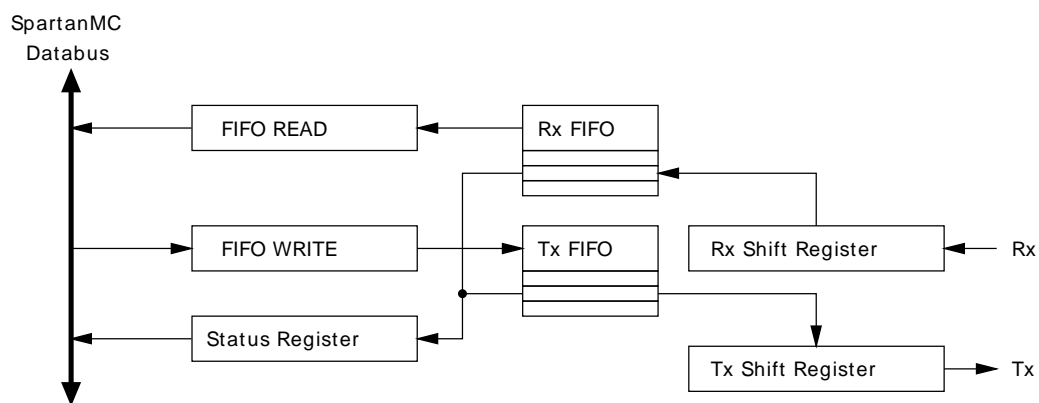


Figure 1: UART Light block diagram

1. Framing

Each frame starts with a logic low start bit followed by a fixed number of 8 databits. Parity bits and additional stop bits are not supported. The transmission of the data field starts with the least significant bit (LSB).

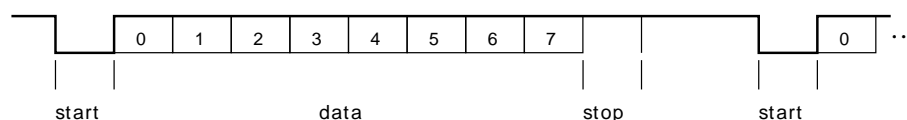


Figure 2: UART Light frame

2. Module parameters

Table 1: UART module parameters

Parameter	Default Value	Description
BASE_ADR	0x10	Start address of the memory mapped peripheral registers. The value is taken as offset to the start address of the peripheral memory space. This parameter is set by jConfig automatically.
FIFO_RX_DEPTH	8	Number of 8 bit cells for incoming data of the receiver FIFO memory. (maximum 2048)
FIFO_TX_DEPTH	8	Number of 8 bit cells for outgoing data of the sender FIFO memory. (maximum 2048)
BAUDRATE	115200	Defines the required baud rate: <div style="text-align: center;"> 921600 Baud 576000 Baud 460800 Baud 230400 Baud 115200 Baud 57600 Baud 28000 Baud 14400 Baud 7200 Baud 4800 Baud 2400 Baud 1200 Baud 600 Baud 300 Baud </div>
INTERRUPT_SUPPORTED	FALSE	If this parameter is set to FALSE, the content of the FIFO memories must be determined via polling. If this parameter is set to TRUE, each received or sent frame can generate an interrupt.
CLOCK_FREQUENCY	25000000	The clock frequency in Hz which the module is currently driven by. This frequency is used to calculate the prescalers for the configured baudrate.

3. Interrupts

In case the UART Light is synthesized for interrupt mode it provides two interrupt signals. Both interrupt signals must be enabled in the UART STATUS register. The interrupts will be generated at the following conditions:

- The Tx interrupt (intr_tx) is set to one if the Tx FIFO status not full and write in last time to Tx-Data. The interrupt indicates that one data in the Tx FIFO memory were sent.
- The Rx interrupt (intr_rx) is set if the first frame is written to the Rx FIFO memory.

The Tx interrupt reset is performed by reading the UART_STATUS register. The Rx interrupt reset is performed by reading data from the Rx FIFO memory.

Note: In case the software application uses this interrupt, the SpartanMC SoC requires an interrupt controller which provides an appropriate interface for the interrupt signal.

4. Peripheral Registers

4.1. UART Register Description

The UART peripheral provides three 18 bit registers which are mapped to the SpartanMC address space located at $0x1A000 + \text{BASE_ADR} + \text{Offset}$.

Table 2: UART registers

Offset	Name	Access	Description
0	UART_STATUS	read/ (write)	Contains the current Rx/Tx FIFO status. For resetting the tx interrupt this register should be write.
1	UART_FIFO_READ	read	Register for incoming data. The LSB of the data word is written to UART_FIFO_READ_0 . For resetting the rx interrupt this register should be read.
2	UART_FIFO_WRITE	write	Register for outgoing data. The LSB of the data word is written UART_FIFO_WRITE_0 .

4.2. UART_STATUS Register

Table 3: UART status register layout

Bit	Name	Access	Default	Description
0	RX_EMPTY	read	1	Set to one if the Rx FIFO is empty otherwise the value is zero.
1	RX_FULL	read	0	Set to one if the Rx FIFO is full otherwise the value is zero.

Bit	Name	Access	Default	Description
2	TX_EMPTY	read	1	Set to one if the Tx FIFO is empty otherwise the value is zero.
3	TX_FULL	read	0	Set to one if the Tx FIFO is full otherwise the value is zero.
4	TX_IRQ_PRE	read	1	Set to one while data were witten to the Tx FIFO. The value is reset to zero through the next TX access to the Tx FIFO memory.
5	TX_IRQ_FLAG	read	0	Set to one while data were sent. The value is reset to zero through the next write access to TX_IRQ_FLAG.
6-8	x	read	0	Not used.
9	RX_IRQ_ENABLE	read/ write	0/0	To enable rx interrupt set this bit should be set to one otherwise set to zero. This bit is only in not polling mode available.
10	TX_IRQ_ENABLE	read/ write	0/0	To enable tx interrupt this bit should be set to one otherwise set to zero. This bit is only in not polling mode available.
11-17	x	read	0	Not used.

Table 3: UART status register layout

4.3. UART_FIFO_READ Register

Table 4: UART status register layout

Bit	Name	Access	Default	Description
0-7	RX	read	0	Register for received data.
8-17	x	read	0	Not used.

4.4. UART_FIFO_WRITE Register

Table 5: UART status register layout

Bit	Name	Access	Default	Description
0-7	TX	write	0	Register for data to send.
8-17	x	write	x	Not used.

4.5. UART C-Header for Register Description

```
#ifndef UART_LIGHT_H_
#define UART_LIGHT_H_

#ifdef __cplusplus
extern "C" {
#endif

#include <stdint.h>

// Status Signale
#define UART_LIGHT_RX_EMPTY    (1<<0)
#define UART_LIGHT_RX_FULL    (1<<1)
#define UART_LIGHT_TX_EMPTY    (1<<2)
#define UART_LIGHT_TX_FULL    (1<<3)
#define UART_LIGHT_TX_IRQ_PRE (1<<4)
#define UART_LIGHT_TX_IRQ_FLAG (1<<5)

// Interruptfreigabe fuer UART light
#define UART_LIGHT_RXIE        (1<<9)
#define UART_LIGHT_TXIE        (1<<10)

typedef struct {
    volatile uint18_t status;        // read/write = Reset Tx
    // Interrupt
    volatile uint18_t rx_data;      // read = Reset Rx Interrupt
    volatile uint18_t tx_data;      // write
} uart_light_regs_t;

void uart_light_send (uart_light_regs_t *uart, unsigned char
value);
unsigned char uart_light_receive (uart_light_regs_t *uart);
int uart_light_receive_nb (uart_light_regs_t *uart, unsigned
char *value);

#define declare_UART_LIGHT_FILE(uart) { \
    .base_addr = (void*) uart, \
    .send_byte = (fun_stdio_send_byte) uart_light_send, \
    .receive_byte = (fun_stdio_receive_byte) uart_light_receive, \
    \
    .receive_byte_nb = (fun_stdio_receive_byte_nb)
uart_light_receive_nb \
}
}
```

```
void __attribute__((error("stdio_uart_light_open
is no longer supported. Declare a global variable
FILE * stdout = &UART_LIGHT_*_FILE instead")))
stdio_uart_light_open(uart_light_regs_t * uart);

#ifdef __cplusplus
}
#endif

#endif /*UART_LIGHT_H*/
```